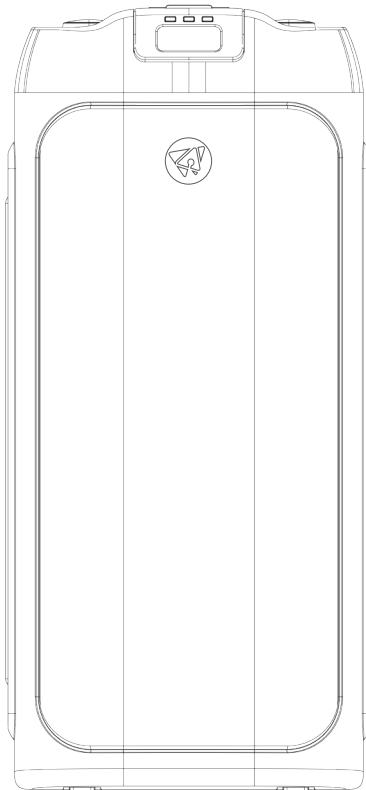


Jive2

b r i g h t

WITH LASER PROJECTION



PORTABLE PARTY SPEAKER

BLUETOOTH 5.2



Jive²

b r i g h t

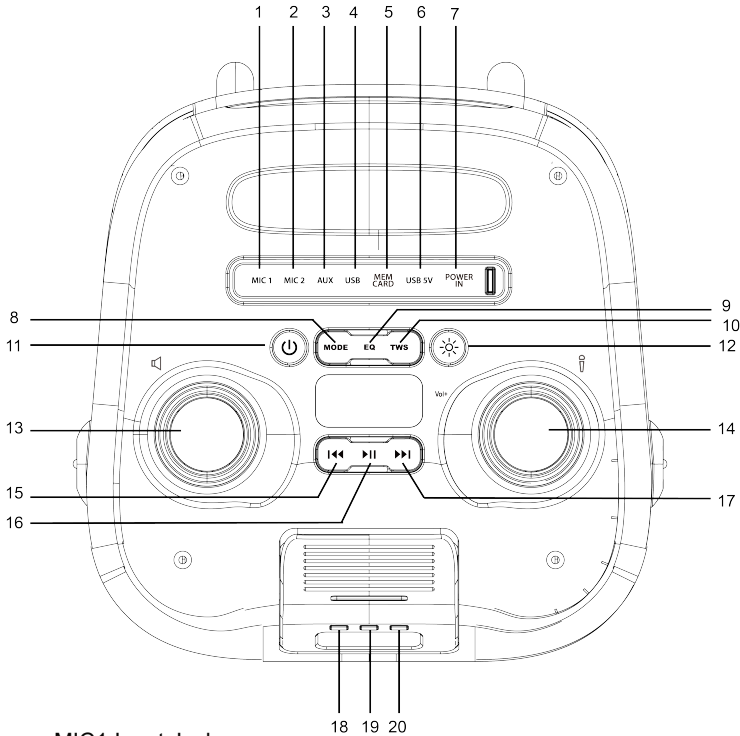
🔊 Introduction

Take your audio immersion to the next level with the WOW! Audio Jive 2 Bright! Boasting a dual 8" woofer design, 100W RMS of amplifier output, and a state-of-the-art DSP sound processing chip for unparalleled, well-balanced, and crystal-clear audio output. With our exclusive Laser Projection System, you will not only get into the rhythm with the audio experience, but you will also experience visual satisfaction with bright and attractive lighting effects that lets you bring the party anywhere you take your Jive 2 Bright.

🔊 Specifications

Main Functions:	AUX IN / Mic / BT / USB / SD CARD / FM / TWS / Laser Projection / Party Lights
USB/SD Format:	MP3 / WAV / WMA / APE
Bluetooth Version:	5.2
Frequency Response:	60 Hz to 20 kHz
SNR:	≥ 80 db
Distortion:	< 10%
FM Frequency Range:	87.5 MHz-108 MHz
Charging Interface:	DC 15V
Lithium Battery:	11.1 V 6000mAh
Screen:	LED Screen
Speaker Power:	100W
Speaker Impedance:	4Ω
Operating Temperature:	-10 to 55 °C
Speaker Size:	2 x 8" 4Ω Woofers, 2 x 3" 8Ω Tweeters
Dimensions:	L-314 mm, D-317 mm, H-720 mm
Weight:	12.3 kg
Battery Runtime:	8.5 hours (LED/Laser Projection Off, Mid Volume); 7 hours (LED/Laser Projection On, Mid Volume)

Control Panel



1. MIC1 Input Jack
2. MIC2 Input Jack
3. Line In (AUX) Jack
4. USB-A Port 1 (Media Player)
5. MEM Card Slot (Media Player)
6. USB-A Port 2 (Reverse Charging only)
7. POWER IN Port (Device Charging)
8. MODE Button
9. EQ Button
10. TWS Mode Button
11. POWER ON/OFF Button
12. LED Light Power ON/OFF
13. Master Volume Dial
14. Microphone Volume Dial
15. Previous Track Button
16. Play/Pause Button
17. Next Track Button
18. Laser Projection Power ON/OFF
19. Laser Projection Auto Mode ON/OFF
20. Laser Projection Pattern Selection

Package Inclusions

- Speaker Unit
- DC 15V Charging Adapter
- User Manual

Basic Operation

Power ON: Press and hold the "POWER" button for about 3 seconds, and the LED screen will light up indicating that the device is on.

Power OFF: Press and hold the "POWER" button for about 3 seconds, and the LED screen will turn off indicating that the device is off.

Functions

Bluetooth Mode

- Power on the Jive 2 Bright and the LED screen flashes "BLUE" when you are on Bluetooth Mode.
 - If the Jive 2 Bright is not in Bluetooth Mode, press the MODE button to cycle through the modes of the Jive 2 Bright until it will arrive in Bluetooth Mode.
- Turn on the Bluetooth mode on your mobile device's settings, then find and select "WOW AUDIO Jive 2 Bright" on the Bluetooth device list.
- After successfully connecting, you will hear a voice prompt saying "Bluetooth Connected".

Music Playback

- When an SD Card and USB flash drive is connected, the Jive 2 Bright automatically switches to music playback mode.
- Press the Play/Pause button to pause music playback, and then press it again to continue playback.
- Previous Track Button:
 - Bluetooth/USB/SD Card Modes — Return to the previous song

- FM Radio Mode — Short press to tune down in frequency; long press to automatically seek to an active lower frequency
- Next Track Button
 - Bluetooth/USB/SD Card Modes — Skip to the next song
 - FM Radio Mode — Short press to tune up in frequency; long press to automatically seek to an active higher frequency
- PLAY/PAUSE Button: Short press to play or pause music playback.
- EQ Button: Press this button to cycle through different equalizer modes to tune the audio output depending on your preference.

LED Light Power ON/OFF Button

Press this button to turn on/off and change LED light patterns on the front panel of the Jive 2 Bright.

TWS Mode

This mode allows you to enjoy a True Wireless Stereo (TWS) audio experience where you would have a distinct left and right channel audio output with 2 Jive 2 Bright speaker systems. In order to use this mode, you must have 2 units of Jive 2 Brights on hand.

- Turn on the first Jive 2 Bright, enter Bluetooth mode, then connect your mobile device to the Jive 2 Bright via Bluetooth. This will be your master speaker.
 - The Bluetooth name of the Jive 2 Bright is “WOW AUDIO Jive 2 Bright”.
- Turn on the second Jive 2 Bright, enter Bluetooth mode, then hold the TWS button on the second Jive 2 Bright for a couple of seconds to activate the TWS mode. You will hear a short beep signifying that the 2 Jive 2 Brights are connected wireless in TWS Mode. This will be your slave speaker.

Disconnecting TWS Mode: Press the TWS button on the first speaker. You will hear a short “beep” sound, which signifies that the 2 Jive 2 Brights are disconnected from TWS mode. To reconnect TWS again, repeat the steps above.


FM Radio Mode

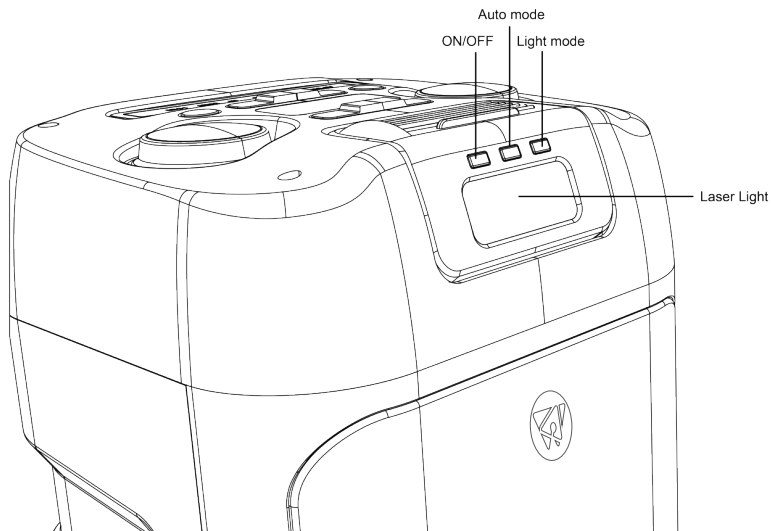
- Press the MODE button to cycle through the modes of the Jive 2 Bright until it will arrive in FM Radio mode.
 - The LED screen will show a frequency (87.5 to 108.0 MHz), which signifies that you are in FM Radio mode.
- Press and hold the "PREV" or "NEXT" buttons to switch radio stations. Short press the "PREV" or "NEXT" buttons to specifically tune the frequency.

Interface Description

- USB Port 1 (Media Player, Reverse Charging): Once a USB flash drive is inserted into the USB Port, the content of the USB flash drive (e.g., music) will playback automatically. The LED will show how long the current song has been playing.
 - The USB Port 1 also supports reverse charging for mobile devices. Battery runtime will be affected when a mobile device is connected for charging to the USB Port.
- USB Port 2 (Reverse Charging only): Charging for mobile devices. No Media Player support. Battery runtime will be affected when a mobile device is connected for charging to the USB Port.
- SD Card (Media Player): Once an SD Card is inserted into the SD Card slot, the content of the SD Card (e.g., music) will playback automatically. The LED will show how long the current song has been playing.
- Line Input (AUX) Jack: Wired 3.5mm audio input jack for external devices such as smartphones, tablets, laptops, karaoke systems, and other mobile devices. To use this interface, press the MODE button to cycle through the modes of the Jive 2 Bright until it will arrive in Line In Mode.
- Microphone: Connect to a microphone for vocal amplification or karaoke.
- DC IN Port: Used for charging the Jive 2 Bright.

Laser Projection System


	WARNING! Do not stare into the Laser Projection System directly as this may cause eye injury.
---	--



- **ON/OFF:** Press this button to turn the laser light projection on or off.
- **Auto Mode:** Press this button to activate automatic movement of laser light patterns with the rhythm of the music.
- **Light Mode:** Press this button to cycle through different lighting patterns.

Charging

- When charging, the red charging indicator light beside the DC IN port will be turned on. This light turns off when the Jive 2 Bright's battery is fully-charged.
- Estimated Charging Time: 3-4 hours

	WARNING! Please use the included charging adapter with the Jive 2 Bright. Use of aftermarket or unauthorized charging adapters may cause damage or fire.
---	---

Basic Troubleshooting

In the event that the Jive 2 Bright encounters unexpected shutdown, disconnection, battery protection tripping, or other issues resulting in a failure to connect or disruption with normal operations, it is recommended to power off the Jive 2 Bright and turn it back on to resolve these issues.

Important Cautions

- Please do not touch electrical connectors with fingers or metal items.
- Avoid strong vibrations when operating the Jive 2 Bright.
- Do not personally disassemble, modify, or repair the Jive 2 Bright.
- Keep the Jive 2 Bright away from damp environments, high temperatures, and oil fumes.
- When connecting or detaching accessories on the Jive 2 Bright, do not apply excessive force to avoid damage.



This product is equipped with a rechargeable lithium ion battery inside. Do not disassemble or tamper battery. Risk of fire or injury.