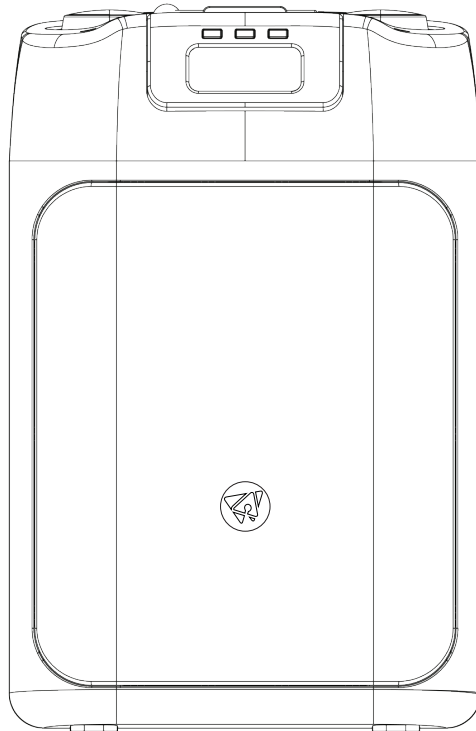


Jive

b r i g h t

WITH LASER PROJECTION



PORTABLE PARTY SPEAKER

BLUETOOTH 5.2



Jive
bright

User Manual

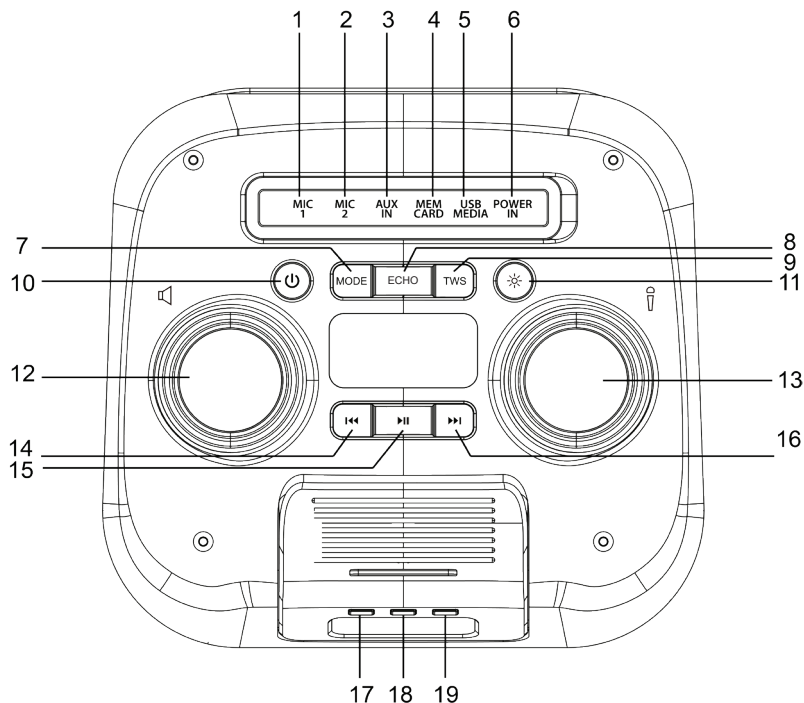
📣 Introduction

Take your audio immersion to the next level with the WOW! Audio Jive Bright! Boasting an inverted tube box bass-enhancing acoustic design, 55W RMS amplifier output, and a state-of-the-art DSP sound processing chip for unparalleled, well-balanced, and crystal-clear audio output. With our exclusive Laser Projection System, you will not only get into the rhythm with the audio experience, but you will also experience visual satisfaction with bright and attractive lighting effects that bring the party anywhere you take your Jive Bright.

📣 Specifications

| | |
|-------------------------------|---|
| Main Function: | AUX IN / Mic / BT / USB / SD CARD / FM / TWS / Laser Projection / Party Lights |
| USB/SD Format: | MP3 / WAV / WMA / APE |
| Bluetooth Version: | 5.2 |
| Response Frequency: | 90 Hz to 20 kHz |
| SNR: | ≥ 80 dB |
| Distortion: | <10% |
| FM Frequency Range: | 87.5 MHz-108 MHz |
| Charging Interface: | USB Type-C 5V |
| Lithium Battery: | 7.4 V 5400mAh |
| Screen: | LED Screen |
| Speaker Power: | 55W |
| Speaker Impedance: | 4Ω |
| Operating Temperature: | -45 to 55°C |
| Speaker Size: | 1 x 8" Woofer, 2 x 1.5" Tweeters |
| Dimensions: | W-235mm, H-370mm, D-220mm |
| Weight: | 4.5 kg |
| Battery Runtime: | 10 hours (LED/Laser Projection Off, Mid Volume); 6.5 hours (LED/Laser Projection On, Mid Volume) |

Control Panel



1. MIC1 Input Jack
2. MIC2 Input Jack
3. Line In (AUX) Jack
4. SD Card Slot (Media Player)
5. USB Port (Media Player)
6. USB-C Port (Device Charging)
7. MODE Button
8. ECHO Button (Microphone Echo)
9. TWS Mode Button
10. POWER ON/OFF Button
11. LED Light Power ON/OFF
12. Master Volume Dial
13. Microphone Volume Dial
14. Previous Track Button
15. Play/Pause Button
16. Next Track Button
17. Laser Projection Power ON/OFF
18. Laser Projection Auto Mode ON/OFF
19. Laser Projection Pattern Selection

📦 Package Inclusions

- Speaker Unit
- USB Charger and Cable
- User Manual

📦 Basic Operation

Power ON: Press and hold the "POWER" button for about 3 seconds, and the LED screen will light up indicating that the device is on.

Power OFF: Press and hold the "POWER" button for about 3 seconds, and the LED screen will turn off indicating that the device is off.

📦 Functions

Bluetooth Mode

- Power on the Jive Bright and the LED screen flashes "BLUE" when you are on Bluetooth Mode.
 - If the Jive Bright is not in Bluetooth Mode, press the MODE button to cycle through the modes of the Jive Bright until it will arrive in Bluetooth Mode.
- Turn on the Bluetooth mode on your mobile device's settings, then find and select "WOW AUDIO Jive Bright" on the Bluetooth device list.
- After successfully connecting, you will hear a voice prompt saying "Bluetooth Connected".

Music Playback

- When an SD Card or USB flash drive is connected, the Jive Bright automatically switches to music playback mode.
- Press the Play/Pause button to pause music playback, and then press it again to continue playback.

- Previous Track Button:
 - Bluetooth/USB/SD Card Modes — Return to the previous song
 - FM Radio Mode — Short press to tune down in frequency; long press to automatically seek to an active lower frequency
- Next Track Button
 - Bluetooth/USB/SD Card Modes — Skip to the next song
 - FM Radio Mode — Short press to tune up in frequency; long press to automatically seek to an active higher frequency
- PLAY/PAUSE Button: Short press to play or pause music playback.
- ECHO Button: Press this button to adjust the echo level of your microphones. This button lets you select the echo levels between 0 to 30.

LED Light Power ON/OFF Button

Press this button to turn on/off and change the LED light patterns on the front panel of the Jive Bright.

TWS Mode

This mode allows you to enjoy a True Wireless Stereo (TWS) audio experience where you would have a distinct left and right channel audio output with 2 Jive Bright speaker systems. In order to use this mode, you must have 2 units of Jive Brights on hand.

- Turn on the first Jive Bright, enter Bluetooth mode, then connect your mobile device to the Jive Bright via Bluetooth. This will be your master speaker.
 - The Bluetooth name of the Jive Bright is “WOW AUDIO Jive Bright”.
- Turn on the second Jive Bright, enter Bluetooth mode, then hold the TWS button on the second Jive Bright for a couple of seconds to activate the TWS mode. You will hear a short beep signifying that the 2 Jive Brights are connected wireless in TWS Mode. This will be your slave speaker.

Disconnecting TWS Mode: Press the TWS button on the first speaker. You will hear a short “beep” sound, which signifies that the 2 Jive Brights are disconnected from TWS mode. To reconnect TWS again, repeat the steps above.

FM Radio Mode

- Press the MODE button to cycle through the modes of the Jive Bright until it will arrive in FM Radio mode.
 - The LED screen will show a frequency (87.5 to 108.0 MHz), which signifies that you are in FM Radio mode.
- Press and hold the "PREV" or "NEXT" buttons to switch radio stations. Short press the "PREV" or "NEXT" buttons to specifically tune the frequency.

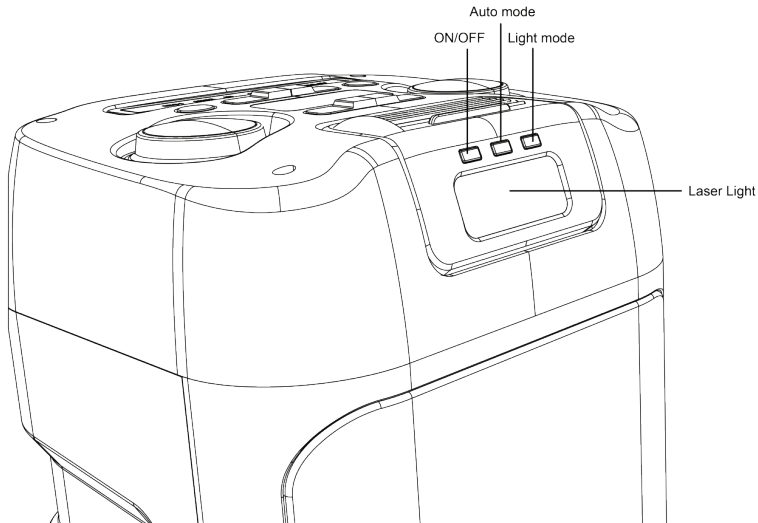
Interface Description

- **USB Port (Media Player):** Once a USB flash drive is inserted into the USB Port, the content of the USB flash drive (e.g., music) will playback automatically. The LED will show how long the current song has been playing.
 - The USB Port also supports reverse charging for mobile devices. Battery runtime will be affected when a mobile device is connected for charging to the USB Port.
- **SD Card (Media Player):** Once an SD Card is inserted into the SD Card slot, the content of the SD Card (e.g., music) will playback automatically. The LED will show how long the current song has been playing.
- **Line Input (AUX) Jack:** Wired 3.5mm audio input jack for external devices such as smartphones, tablets, laptops, karaoke systems, and other mobile devices. To use this interface, press the MODE button to cycle through the modes of the Jive Bright until it will arrive in Line In Mode.
- **Microphone:** Connect to a microphone for vocal amplification or karaoke.
- **USB-C Port:** Used for charging the Jive Bright.

Laser Projection System



WARNING! Do not stare into the Laser Projection System directly as this may cause eye injury.



- **ON/OFF:** Press this button to turn the laser light projection on or off.
- **Auto mode:** Press this button to activate automatic movement of laser light patterns with the rhythm of the music.
- **Light mode:** Press this button to cycle through different lighting patterns.

Charging

- When charging, the red charging indicator light beside the USB-C port will be turned on. This light turns off when the Jive Bright's battery is fully-charged.
- Estimated Charging Time 3-4 hours
- NOTE: Charging time may differ due to variations in USB-C adapter or equipment.

🚩 Basic Troubleshooting

In the event that the Jive Bright encounters unexpected shutdown, disconnection, battery protection tripping, or other issues resulting in a failure to connect or disruption with normal operations, it is recommended to power off the Jive Bright and turn it back on to resolve these issues.

🚩 Important Cautions

- Please do not touch electrical connectors with fingers or metal items.
- Avoid strong vibrations when operating the Jive Bright.
- Do not personally disassemble, modify, or repair the Jive Bright.
- Keep the Jive Bright away from damp environments, high temperatures, and oil fumes.
- When connecting or detaching accessories on the Jive Bright, do not apply excessive force to avoid damage.



This product is equipped with a rechargeable lithium ion battery inside. Do not disassemble or tamper battery. Risk of fire or injury.



**WARRANTY
REGISTRATION
& SUPPORT**